



XPress LA

Integrated Satellite Data Collection Platform (DCP)



Description:

The **XPress LA** is a compact environmental data collection platform consisting of the following main components:

- GTX-2.0 Satellite Transmitter & Datalogger
- Satellite transmit antenna
- GPS antenna for time synchronization
- Internal lead acid battery pack
- Integrated solar regulator

Also included with the **XPress LA** is an external 5 W solar panel with mounting hardware and pendant cable.

The **XPress LA** is compatible for use in GOES, METEOSTAT, and the GMS networks. The unit is rainproof to IP66 and is intended for extended deployment in harsh environments. When used with Microcom’s universal mounting kit, antenna aiming for both azimuth and elevation is quick and convenient.

External wiring has been reduced to three connectors to facilitate easy field installation. These connections consist of a solar panel input, an RS232 port, and a combination SDI-12 bus / Tipping Bucket rain gauge port.

Average power consumption of the **XPress LA** is 60 milliwatts with 2 seconds hourly transmission (typical when used for water level and/or rainfall data transmissions). This is supported by the standard 5 watt solar panel at latitudes to ±50 degrees. Contact Microcom Design for recommended sensors and operating modes.

The specified temperature range of -40 to 55 C has been verified by testing at USGS HIF facilities. Call or email for test data.

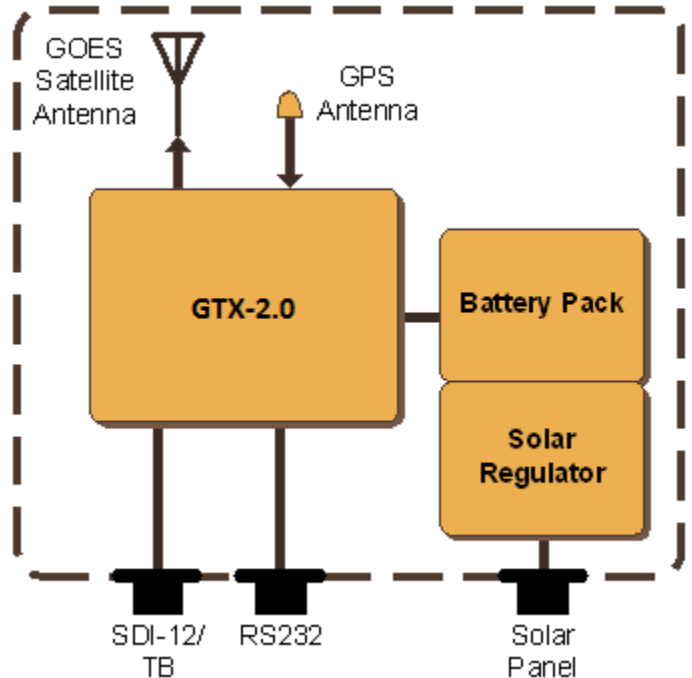
The **XPress LA** can be easily configured in the office prior to installation, or configured on site during installation.

Specifications:

Weight:	17 Lbs.
Size:	18.1” L x 13.0” W x 8.5” H
Package:	IP66 Sealed UV Resistant
Temperature:	-40 to 55 C
Battery:	12.6 VDC 4.5 Ampere-Hour
Solar Panel:	5 Watt
Antenna Gain:	6.5 dB

Options:

- Hydrophobic coating
- Larger wattage solar panels
- Second SDI-12/TB connector
- SDI-12 junction-box for additional sensor inputs



June 2018

 **Microcom Design, Inc.**
10948 Beaver Dam Road
Hunt Valley, MD, USA 21030
Tel: (410) 771-1070
Fax: (410) 771-0018
Email: sales@microcomdesign.com

 **Microcom Florida**
Air-Sea Monitoring Systems
656-E Capital Circle, NE
Tallahassee, FL, USA 32301
Tel: (850) 325-1865
Email: sales@microcomdesign.com

 **Microcom Canada**
Omnimetrix
3465 Rue Ashby
Saint Laurent, QC H4R 2K3
Tel: (514) 684-1004
Fax: (514) 697-0400
Email: roger@omnimetrix.com

 **Microcom Brazil**
SIMTECH Representações Ltda
Praça Pio X, 55 – SI 903, Candelária
Rio de Janeiro, RJ 20040-020, Brasil
Tel: 21 2506 5900
Fax: 21 2240 1242
E-mail: simtech@simtech.com.br